



PHASER® 740 AND 740L
LASER PRINTERS
SETUP GUIDE



Tektronix®

www.tek.com/Color_Printers/





**Phaser® 740 and 740L Laser Printers
Setup Guide**

Copyright © Tektronix, Inc. Unpublished rights reserved under the copyright laws of the United States. Contents of this publication may not be reproduced in any form without permission of Tektronix, Inc.

Tektronix[®], Phaser[®], PhaserShare[®], the TekColor[®] icon, and Made For Each Other[®] are registered trademarks of Tektronix, Inc. PhaserLink[™], PhaserPrint[™], PhaserSym[™], PhaserTools[™], TekSMART[™], and the TekColor[™] name are trademarks of Tektronix, Inc. TekColor CareSM and RealSUPPORTSM are service marks of Tektronix, Inc.

Adobe[®], Acrobat[®], Acrobat[®] Reader, Illustrator[®], PageMaker[®], Photoshop[®], and PostScript[®], ATM[®], Adobe Garamond[®], Birch[®], Carta[®], Mythos[®], Quake[®], and Tekton[®] are registered trademarks and Adobe Jenson[™], Adobe Brilliant Screens[™] technology, and IntelliSelect[™] are trademarks of Adobe Systems Incorporated or its subsidiaries which may be registered in certain jurisdictions.

Apple[®], LaserWriter[®], LocalTalk[®], Macintosh[®], Mac[®] OS, AppleTalk[®], TrueType2[®], Apple Chancery[®], Chicago[®], Geneva[®], Monaco[®], and New York[®] are registered trademarks, and QuickDraw[™] is a trademark of Apple Computer Incorporated.

Marigold[™] and Oxford[™] are trademarks of AlphaOmega Typography.

Avery[™] is a trademark of Avery Dennison Corporation.

FTP[®] Software is a registered trademark of FTP Software, Incorporated.

PCL[®] is a registered trademark of Hewlett-Packard Corporation.

Hoefler Text was designed by the Hoefler Type Foundry.

ITC Avant Guard Gothic[®], ITC Bookman[®], ITC Lubalin Graph[®], ITC Mona Lisa[®], ITC Symbol[®], ITC Zapf Chancery[®], and ITC Zapf Dingbats[®] are registered trademarks of International Typeface Corporation.

Bernhard Modern[™], Clarendon[™], Coronet[™], Helvetica[™], New Century Schoolbook[™], Optima[™], Palatino[™], Stempel Garamond[™], Times[™], and Univers[™] are trademarks of Linotype-Hell AG and/or its subsidiaries.

MS-DOS[®] and Windows[®] are registered trademarks of Microsoft Corporation.

WingDings[™] in TrueType[®] format is a product of Microsoft Corporation. WingDings is a trademark of Microsoft Corporation and TrueType is a registered trademark of Apple Computer, Inc.

Albertus[™], Arial[™], Gill Sans[™], Joanna[™], and Times New Roman[™] are trademarks of Monotype Corporation.

Antique Olive[®] is a registered trademark of M. Olive.

Eurostile[™] is a trademark of Nebiolo.

Novell[®] and NetWare[®] are registered trademarks of Novell, Incorporated.

Sun[®], Sun Microsystems[®], and Sun Microsystems Computer Corporation[®] are registered trademarks of Sun Microsystems, Incorporated. SPARC[®] is a registered trademark of SPARC International, Incorporated. SPARCstation[™] is a trademark of SPARC International, Incorporated, licensed exclusively to Sun Microsystems, Incorporated.

Ethernet[®] is a registered trademark of Xerox Corporation.

UNIX[®] is a registered trademark in the US and other countries, licensed exclusively through X/Open Company Limited.

Other marks are trademarks or registered trademarks of the companies with which they are associated.

PANTONE[®] Colors generated by the Phaser 740 Color Printer are four- and/or three-color process simulations and may not match PANTONE-identified solid color standards. Use current PANTONE Color Reference Manuals for accurate colors.

PANTONE Color simulations are only obtainable on this product when driven by qualified Pantone-licensed software packages. Contact Pantone, Inc. for a current list of qualified licensees.

All trademarks noted herein are either the property of Tektronix, Inc., Pantone, Inc., or their respective companies.

Phaser® 740 and 740L Printer Warranty

Tektronix warrants that the **Phaser 740 and 740L Printers** will be free from defects in materials and workmanship for a period of **one (1) year** from the date of shipment. If the product proves defective during the respective warranty period, Tektronix, at its option, will repair the defective product onsite (740 only), at the depot, or by means of telephone support, without charge for parts and labor, or provide a replacement in exchange for the defective product.

The **740L** product warranty is one year **Return to Depot**. This warranty applies only to the 740L and product must be returned to the designated Tektronix depot or the Tektronix authorized representative from which the product was originally purchased. For product returned to other locations, Customer will be assessed an applicable service charge. The preceding limitation shall not apply within the European Economic Area, where product may be returned for warranty service to the nearest designated service depot regardless of the place of purchase.

Under this depot product warranty, Customer must notify Tektronix or its authorized representative of the defect before the expiration of the warranty period and if instructed by Tektronix, make suitable arrangements for repair. Customer shall be responsible for proper packaging and shipping the defective product to the service center designated by Tektronix or its representative, with shipping charges prepaid. Tektronix or its representative shall pay for the return of the product to the Customer. Customer shall be responsible for paying any associated taxes or duties.

The **740** product warranty is one year **On-site Repair**. Under this product warranty, Customer must notify Tektronix or its authorized representative of the defect before the expiration of the warranty period and if instructed by Tektronix, make suitable arrangements for repair. Tektronix or its authorized representative will provide warranty repair during the warranty period at the Customer's site, if required, without charge within the United States or outside the United States if the product is located in a customary on site service area. Outside the U.S., a description of the customary on-site service area may be obtained from the local Tektronix Subsidiary or Authorized Tektronix Distributor.

The **Customer Replaceable Consumables (CRCs)*** in this product will be free from defects in materials and workmanship for a period of; (a) ninety (90) days from the date of installation, but not more than one (1) year from date of shipment; or (b) six (6) months where longer periods are required by law. Under this warranty, Customer must notify Tektronix or its authorized representative of the defect before the expiration of the warranty period. Tektronix or its representative will ship a replacement CRC, at Tektronix expense, to replace the defective CRC. Customer shall be responsible for paying any associated taxes or duties. Tektronix may require that the CRC be returned to the designated Tektronix depot or the Tektronix authorized representative from which the CRC was originally purchased.

This warranty shall not apply to any defect, failure or damage caused by improper use or improper or inadequate maintenance and care. Tektronix shall not be obligated to furnish service under this warranty:

- a. to repair damage resulting from attempts by personnel other than Tektronix representatives to install, repair or service the product or CRC;
- b. to repair damage resulting from improper use or connection to incompatible equipment;
- c. to repair any damage or malfunction caused by the use of non-Tektronix supplies or consumables;
- d. to repair a product or CRC that has been modified or integrated with other products when the effect of such modification or integration increases the time or difficulty of servicing the product or CRC;
- e. to repair damage or malfunction resulting from failure to perform user maintenance and cleaning at the frequency and as prescribed in the user manual; or
- f. to repair this product after the limit of its duty cycle of 100,000 monochrome pages per month or 25,000 color pages per month have been reached; all service thereafter shall be billed on a time and material basis.
- g. to repair or replace CRC's that have been used beyond their stated capacities.

THE ABOVE WARRANTIES ARE GIVEN BY TEKTRONIX WITH RESPECT TO THIS PRODUCT AND ITS CUSTOMER REPLACEABLE CONSUMABLES IN LIEU OF ANY OTHER WARRANTIES, EXPRESS OR IMPLIED. TEKTRONIX AND ITS VENDORS DISCLAIM ANY IMPLIED WARRANTIES OF MERCHANTABILITY OR FITNESS FOR A PARTICULAR PURPOSE. TEKTRONIX' RESPONSIBILITY TO REPAIR OR REPLACE DEFECTIVE PRODUCTS AND CUSTOMER REPLACEABLE CONSUMABLES IS THE SOLE AND EXCLUSIVE REMEDY PROVIDED TO THE CUSTOMER FOR BREACH OF THIS WARRANTY. TEKTRONIX AND ITS VENDORS WILL NOT BE LIABLE FOR ANY INDIRECT, SPECIAL, INCIDENTAL, OR CONSEQUENTIAL DAMAGES IRRESPECTIVE OF WHETHER TEKTRONIX OR THE VENDOR HAS ADVANCE NOTICE OF THE POSSIBILITY OF SUCH DAMAGES.

* Customer Replaceable Consumables in this product are specifically: fuser, fuser roll, imaging unit, transfer kit, main charge grid, and toner cartridges.

User safety summary

Terms in manual: CAUTION Conditions that can result in damage to the product.
WARNING Conditions that can result in personal injury or loss of life.

Power source: Do not apply more than 250 volts RMS between the supply conductors or between either supply conductor or ground. Use only the specified power cord and connector. Refer to a qualified service technician for changes to the cord or connector.

Operation of product: Avoid electric shock by contacting a qualified service technician to replace fuses inside the product. Do not operate without the covers and panels properly installed. Do not operate in an atmosphere of explosive gases.

Safety instructions: Read all installation instructions carefully before you plug the product into a power source.

Terms on product: CAUTION A personal injury hazard exists that may not be apparent. For example, a panel may cover the hazardous area. Also applies to a hazard to property including the product itself.
DANGER A personal injury hazard exists in the area where you see the sign.

Care of product: Disconnect the power plug by pulling the plug, not the cord. Disconnect the power plug if the power cord or plug is frayed or otherwise damaged, if you spill anything into the case, if product is exposed to any excess moisture, if product is dropped or damaged, if you suspect that the product needs servicing or repair, and whenever you clean the product.

Ground the product: Plug the three-wire power cord (with grounding prong) into grounded AC outlets only. If necessary, contact a licensed electrician to install a properly grounded outlet.

Symbols as marked on product:

DANGER high voltage:



Protective ground (earth) terminal:



Use caution. Refer to the manual(s) for information:



Hot surface on or in the printer.
Use caution to avoid personal injury:



This product is certified under IEC 825 as a Class 1 Laser Product:




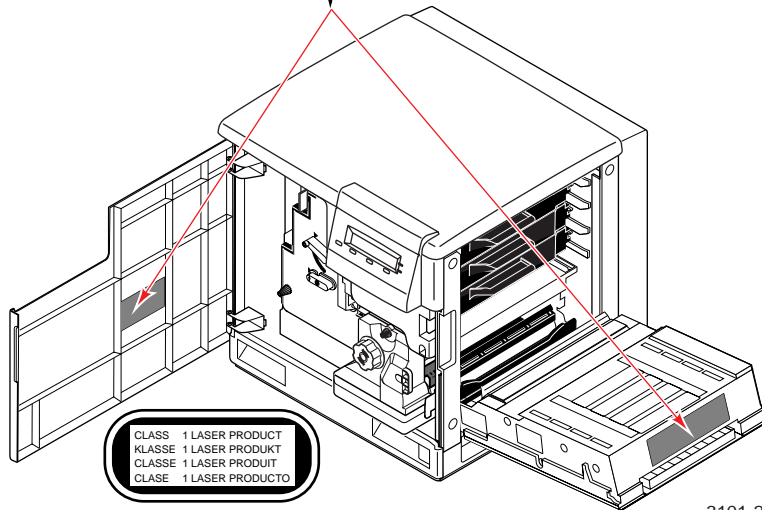
WARNING: If the product loses the ground connection, usage of knobs and controls (and other conductive parts) can cause an electrical shock. Electrical product may be hazardous if misused.

WARNING: For your protection, do not defeat any interlocks.

CAUTION: This product utilizes a laser. Use of control or adjustments or performance of procedures other than those specified herein may result in hazardous radiation exposure. Do not open covers and do not repair yourself. Refer servicing to qualified personnel.

When you operate this equipment, the socket outlet should be near the equipment and be easily accessible.

| | | | | | |
|---|---|--|--|--|--|
| DANGER: Invisible laser radiation when open and interlock defeated. AVOID DIRECT EXPOSURE TO BEAM. | CAUTION: Invisible laser radiation when open and interlocks defeated. AVOID DIRECT EXPOSURE TO BEAM. | VORSICHT: Unsichtbare Laserstrahlung, wenn Abdeckung geöffnet und Sicherheitsverriegelung überbrückt. NICH DEM STRAHL AUSSETZEN. | ATTENTION: Rayonnement laser invisible dangereux en cas d'ouverture et lorsque la sécurité est neutralisée. EXPOSITION DANGEREUSE AU FAISCEAU. |  Class 3B | |
| PELIGRO: Cuando se abre y se invalida el bloqueo, se producen radiaciones invisibles de láser. EVITESE LA EXPOSICIÓN DIRECTA A TALES RAYOS. | VARNING: Osynlig laserstrålning när denna del är öppnad och spärrar är urkopplade. STRÅLEN ÄR FARLIG. | VARO! Näkymätön avattamassa ja suojelukäytävä ohittamassa olet alitina lasersäteilylle. ÄLÄ KATSO SÄTEESEEN. | VARNING: Osynlig laserstrålning när denna del är öppnad och spärrar är urkopplade. BETRAKTA EJ STRÅLEN. | ADVARSEL: Usynlig laserstrålning ved åbning når sikkerhedsafbrydere er ude af funktion. UNDGÅ UD ÅTTELSE FOR STRÅLING. | ADVARSEL: Usynlig laserstrålning når deksel åbnes og sikkerhedsålas brytes. UNNGÅ EKSPONERING FOR STRÅLEN. PJ0T4621ZA |



3101-26

FOR USERS IN JAPAN

This equipment is in the 2nd Class category (information equipment to be used in a residential area or an adjacent area thereto) and conforms to the standards set by the Voluntary Control Council For Interference by Information Technology Equipment aimed at preventing radio interference in such residential area.

When used near a radio or TV receiver, it may become the cause of radio interference. Read the instructions for correct handling.

Getting Set Up

At a glance

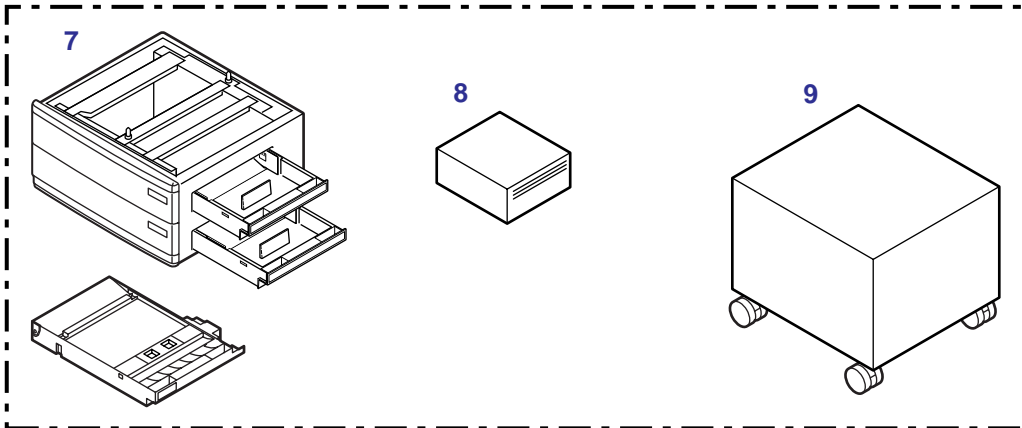
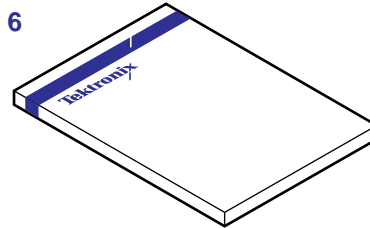
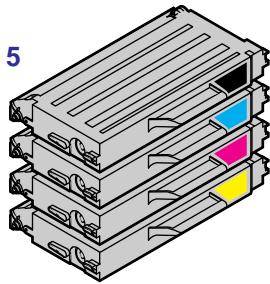
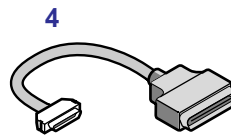
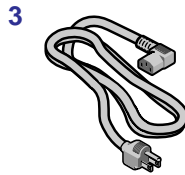
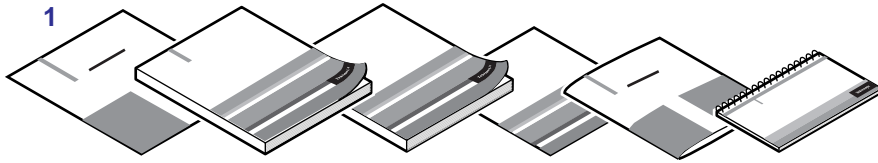
| | Page |
|---|-----------|
| Unpack | 2 |
| ■ Take inventory | 2 |
| ■ Remove the packing material | 4 |
| Set up the printer | 5 |
| ■ Select a location | 5 |
| ■ Move the printer (and optional Lower Tray Assembly) | 6 |
| ■ Install toner cartridges | 9 |
| ■ Prepare imaging unit | 11 |
| ■ Load media | 12 |
| ■ Connect the printer | 17 |
| ■ Turn on the printer | 20 |
| ■ Select a front panel language | 21 |
| Make a print | 22 |
| Install printer software on your computer | 24 |
| ■ Register your printer | 33 |
| Where to go from here | 34 |

Unpack the printer

Take inventory

1. Documentation
 - Setup overview poster
 - Setup Guide (this book)
 - PhaserShare Networking Setup Guide
 - Supplies information kit
 - User Guide
2. Printer CD-ROMs (2)
3. Power cord
4. Parallel cable adapter
5. Toner cartridge(s)
The Phaser 740L printer ships with only one (black) toner cartridge.
6. Media sampler
7. * Automatic Duplex/Lower Tray Assembly (order number ZDPLX):
 - Lower Tray Assembly
 - DUPLEX unit
 - PAPER tray
 - TRANSPARENCY tray
8. * SCSI hard disk (order number ZDISK)
9. * Cart (order number ZCARTA)

* Optional accessories



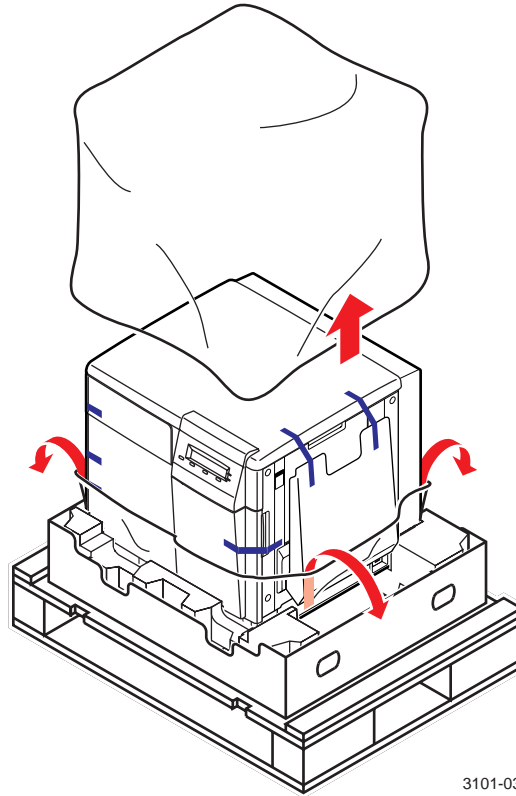
3101-02a

Remove the packing material

NOTE

Save all packing material in case moving or subsequent shipment is necessary.

1. Remove the plastic bag from the printer. Pull down the plastic skirt to expose the printer.



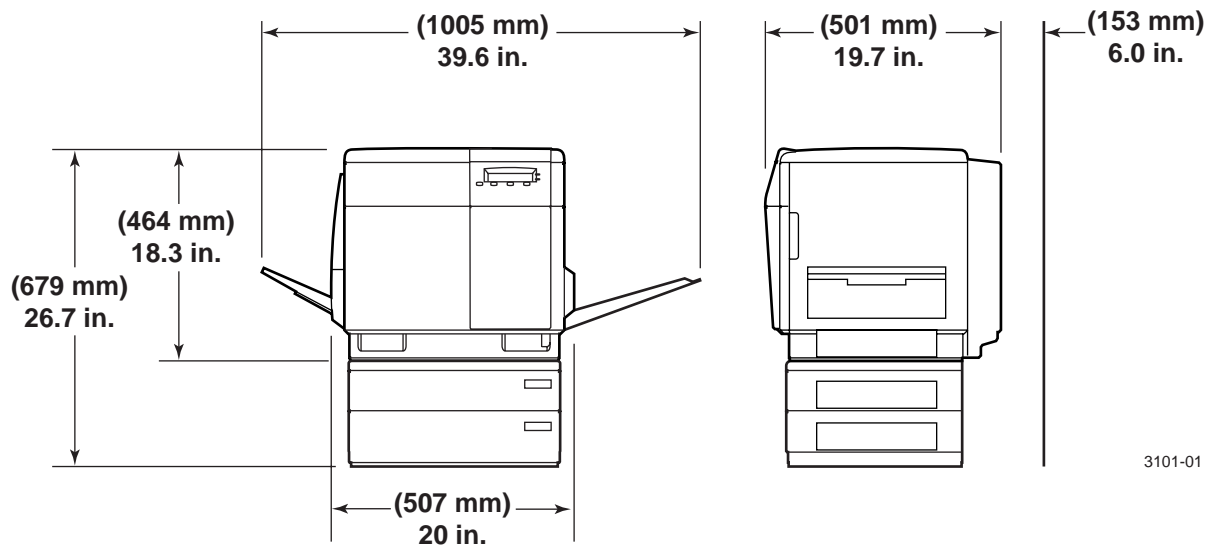
3101-03

2. If you ordered an optional Automatic Duplex/Lower Tray Assembly, unpack it now.

Set up the printer

Select a location

Make sure that the location for the printer is level and strong. The printer weighs 43 kg. (94 lbs.); the optional Automatic Duplex/Lower Tray Assembly weighs 14 kg (31 lbs.).

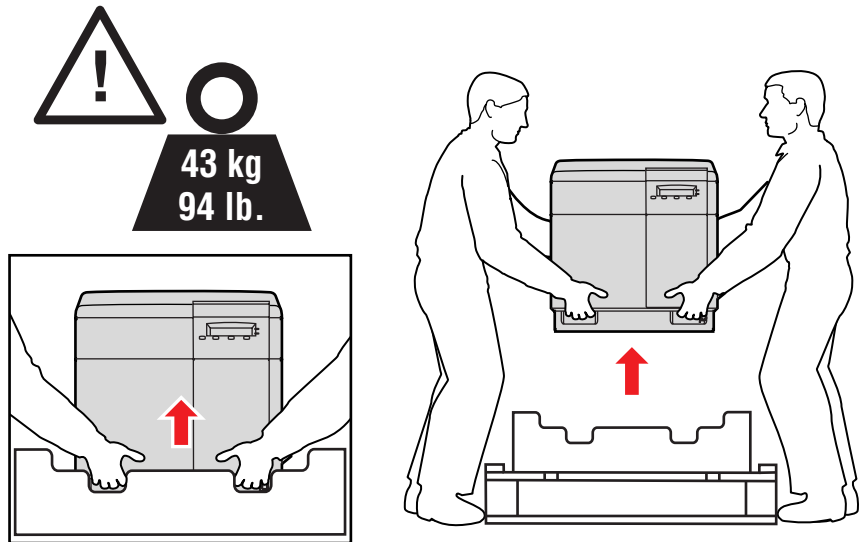


Lift the printer

WARNING

The printer weighs about 43 kg. (94 lbs.); observe standard precautions for lifting heavy objects.

To lift the printer from its shipping pallet, use the indents at the front and back of the printer for your hands, as shown in this illustration.



3101-22

If you ordered an optional Automatic Duplex/Lower Tray Assembly

WARNING

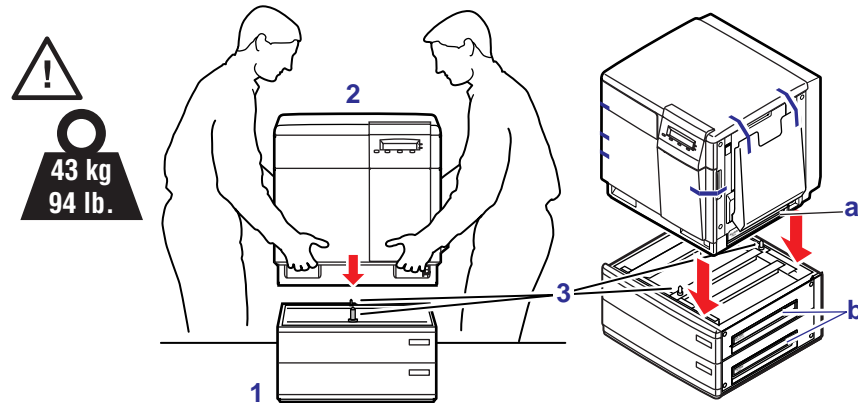
The printer weighs about 43 kg. (94 lbs.) and the Lower Tray Assembly weighs about 14 kg (31 lbs.). Observe standard precautions for lifting heavy objects.

The printer is not permanently attached to the Automatic Duplex/Lower Tray Assembly. When you move the printer, move the pieces separately; moving the printer incorrectly may damage it and may cause personal injury.

1. Place the Lower Tray Assembly on a solid, level table or cart.
2. Place the printer on top of the Lower Tray Assembly:

Align the paper tray slot on the printer (a) with the paper tray slots on the Lower Tray Assembly (b).

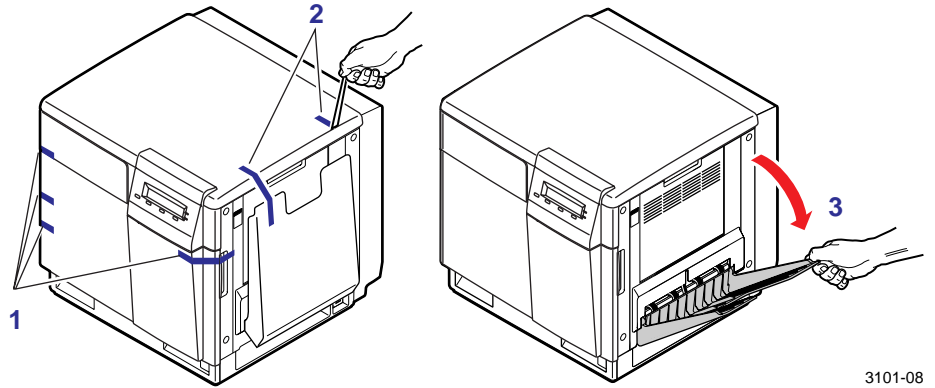
3. Fit the front and back alignment pins into the holes in the base of the printer.



3101-04

Remove adhesive tape

1. Remove all adhesive tape that holds the printer's doors shut.
2. Remove the adhesive tape that holds the output tray against the printer.
3. Gently lower the tray to its operating position.



3101-08

Install the toner cartridges

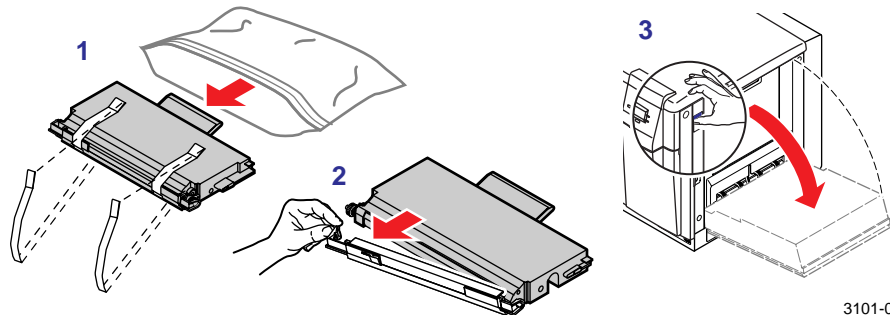
Install the toner cartridges

The toner cartridges are shipped in the packing tray under the foam.

NOTE

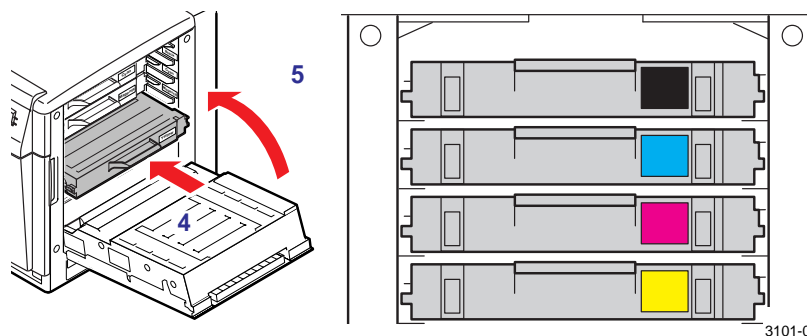
If you have a Phaser 740L printer, refer to page 10 before installing the toner cartridge.

1. Remove each toner cartridge from its packaging. Make sure that you remove all tape.
2. Remove the shipping cover from each cartridge.
3. Open the printer's right side door.



3101-05

4. Install each cartridge in the slot labeled for its color.
5. Close the right side door.



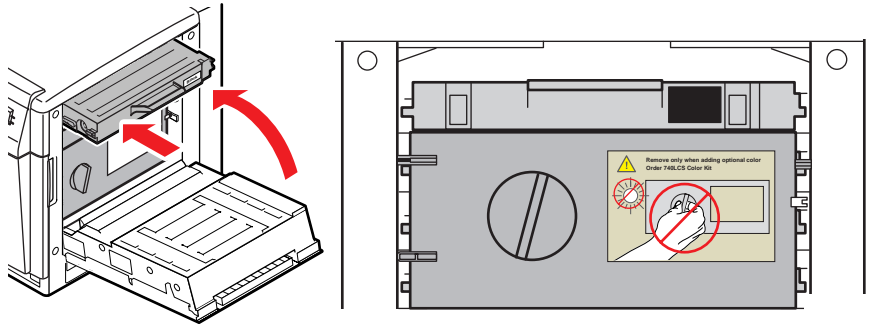
3101-06

CAUTION

When installing the cartridges, be careful not to leave the side door open for an extended time; other components can be damaged by light exposure.

Phaser 740L printers

The Phaser 740L printer includes only a black toner cartridge in the printer box. Read the following information, then follow the instructions on page 9 to install the cartridge.



3101-27

If you ordered a Phaser 740L Color Kit

- The Phaser 740L Color Kit (order number Z740LCS) is shipped separately and includes three color toner cartridges (cyan, magenta, and yellow). The kit also contains a RealSUPPORT Contract Authorization and converts the product warranty from 1 year return-to-depot to 1 year on-site for the remainder of the warranty period.
- Before installing the color toner cartridges, you must first remove the light shield. To do this, open the right side door and follow the procedure on the instruction sheet included in the kit. Discard the light shield after removing it. Then follow the instructions on page 9 to install all toner cartridges.

CAUTION

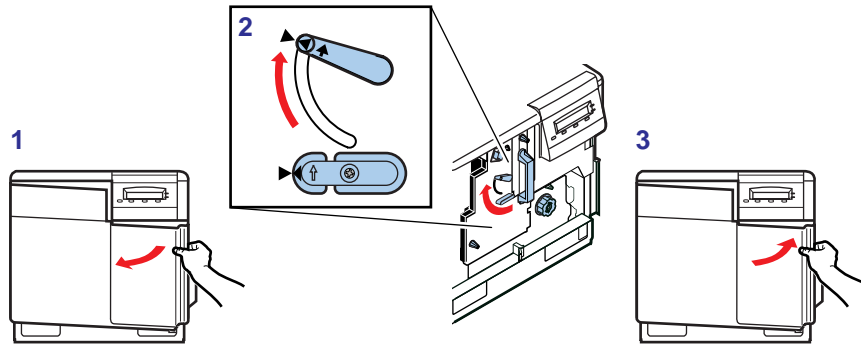
Only remove the light shield when converting your Phaser 740L printer to color. Otherwise, light may damage printer components.

Once you remove the light shield and install toner cartridges in all slots, toner cartridges are required for proper operation. Otherwise, the front panel will report an error.

After adding color to the Phaser 740L printer, you can temporarily turn the printer back to monochrome: in the front panel's **Printer Defaults** menu, select **Black only** under the **Print Mode** menu.

Prepare the imaging unit

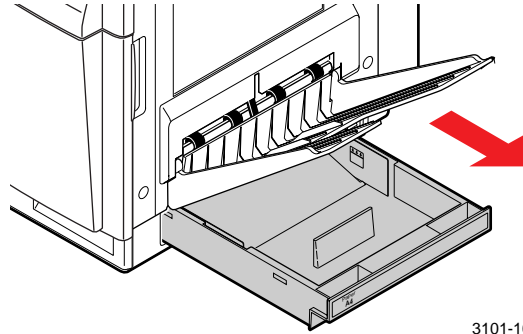
1. Open the printer's front door.
2. Turn the upper blue lever to the *up* position: align the lever's triangle with the triangle on the surface of the imaging unit.
3. Close the printer's front door.



3101-07

Add paper or transparencies

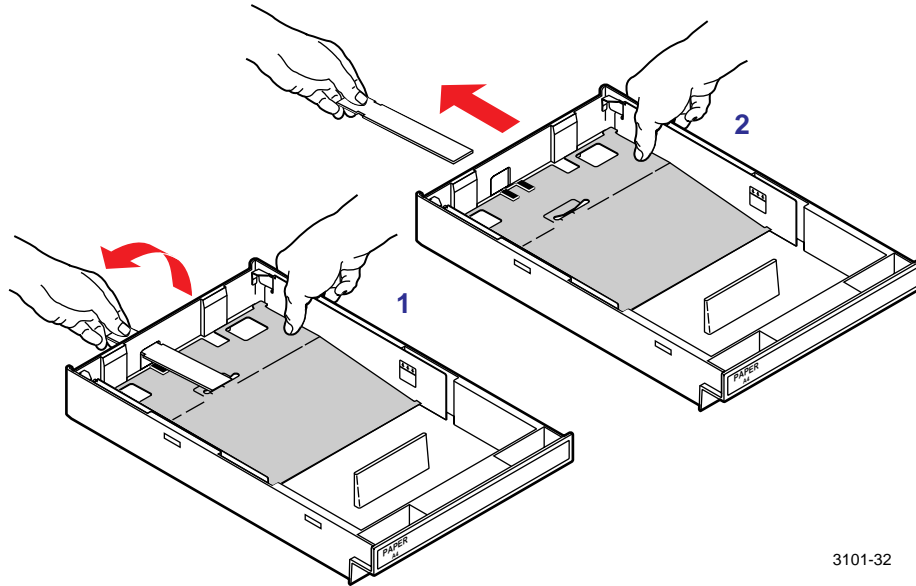
Remove the paper tray



3101-10

Remove packing material

Remove the packaging materials from inside the tray: twist the cardboard "lock," pull it out and discard it.



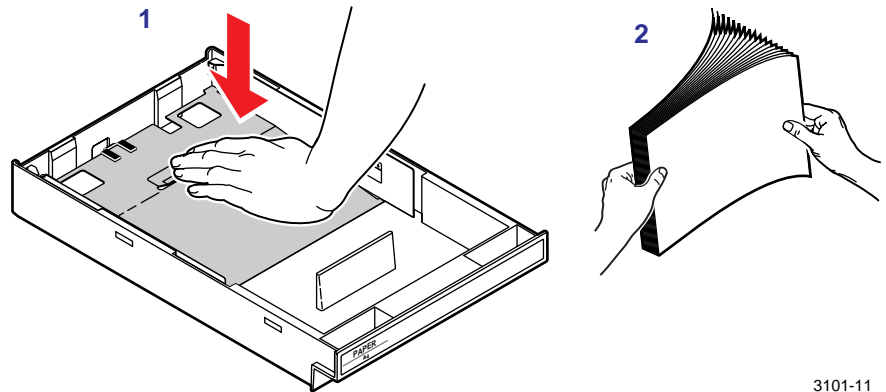
3101-32

Load media

CAUTION

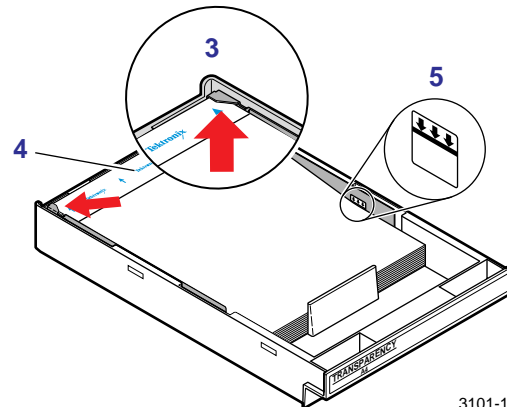
For proper operation, install only paper in the PAPER tray (60 - 90 g/m², 16 - 24 lb.) and Tektronix transparencies in the TRANSPARENCY tray.

1. Push down on the tray's metal plate until it clicks, locking it.
2. Fan the paper or transparencies. Do not leave fingerprints on the print area of the transparencies.



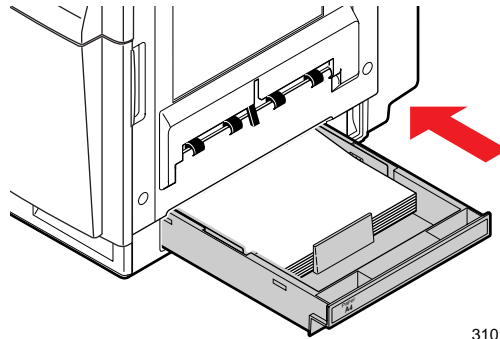
3101-11

3. Place media in the tray under the hooks.
4. **Transparencies:** Place the Tektronix logo strip *face up* under the hooks.
5. **Tray capacity:** Use the label on the inside of the tray as a reference for loading the proper amount of media: approximately 250 sheets of paper or 100 sheets of transparencies.



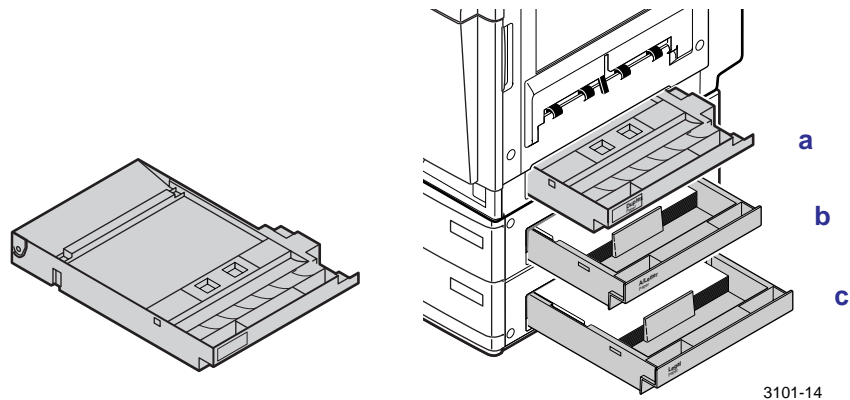
3101-12

6. If you have a single media tray, slide it completely into the slot.



3101-13

7. If you have the Automatic Duplex/Lower Tray Assembly:
- Install the DUPLEX unit *only* into the upper (a) slot.
 - Install the TRANSPARENCY tray *only* into the middle (b) slot.
 - Install the PAPER trays into the middle (b) or lower (c) slots.



3101-14

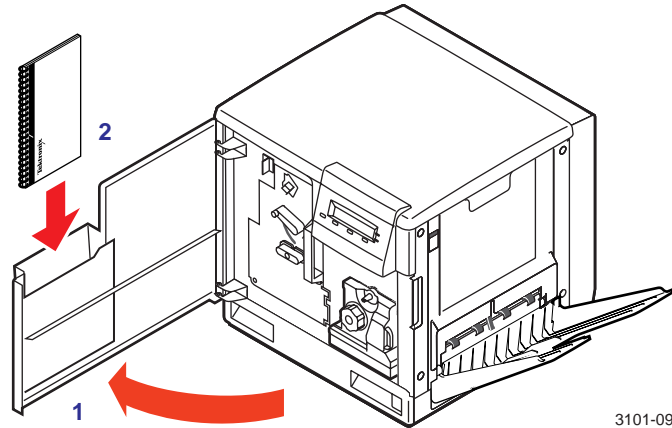
NOTE

When you install the Duplex unit, you will have one extra media tray.

A home for the User Guide

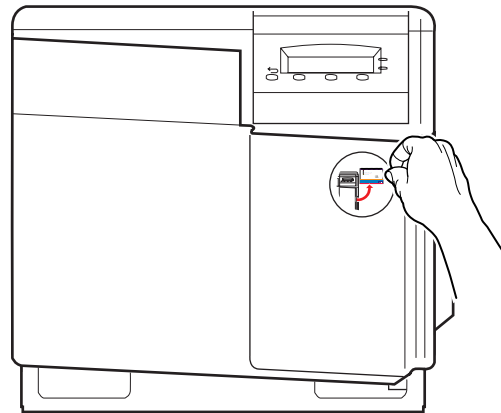
The printer's front door includes an inside pocket for storing the User Guide. Also included is a label for the outside of the printer; it lets users know that the User Guide is stored inside the printer.

1. Open the printer's front door.
2. Insert the User Guide into the pocket inside the printer door.



3101-09

3. Close the front door.
4. Place the label on the printer's front door.



3101-33

Connect the interface cables

Included here is an overview of the printer ports. If you are connecting the printer directly to your computer, refer to “Connecting to the parallel port” on page 18. If you are connecting the printer to a network, refer to the *PhaserShare Networking Setup Guide*.

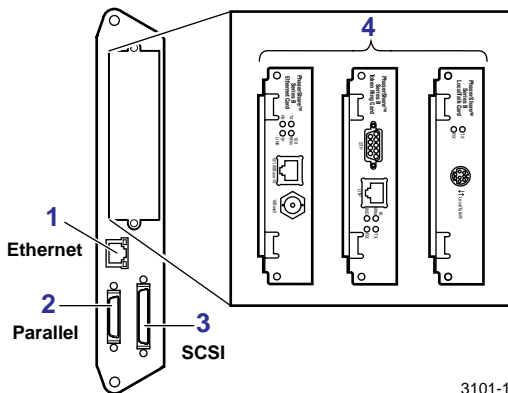
Printer port overview

NOTE

Plus, Duplex, and Extended Configurations include a SCSI port; Standard Configurations require the Z740FP Kit for SCSI support.

The printer is shipped with two interface ports on the printer’s rear panel. Optionally, it supports a SCSI port and one of three optional PhaserShare® network cards. All ports and network protocols are simultaneously active.

1. **Ethernet** *standard* 10BASE-T interface
Refer to the *PhaserShare Networking Setup Guide*.
2. **Parallel** *standard* Standard (bi-directional) parallel port
Refer to “Connecting to the parallel port” on page 18.
3. **SCSI** *optional* For optional peripheral devices
Refer to “Connecting a SCSI peripheral device” on page 19 and “Connecting peripheral devices” on the printer’s CD-ROM or web site.
4. **PhaserShare Card** *optional* 10/100BASE-T, Token Ring, or LocalTalk
Refer to the *PhaserShare Networking Setup Guide*.



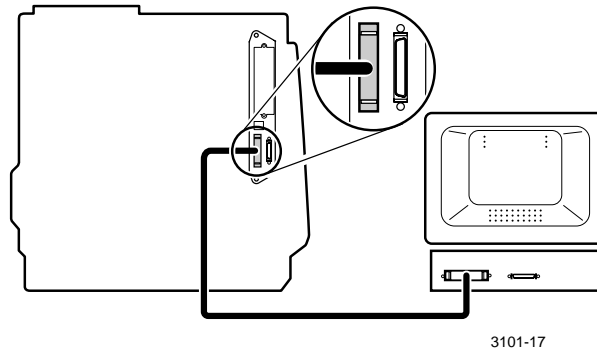
3101-15

Connecting to the parallel port

CAUTION

The maximum length for the parallel cable is 3 meters (10 ft.).

- Use a high-density bi-directional parallel cable or a Tektronix 36-pin high-density printer-to-25-pin DSUB PC cable (order number 012-1468-00). Otherwise, use a 36-pin to 36-pin parallel cable and the parallel adapter supplied with the printer.
- Connect the larger end of a parallel interface cable to your computer and the smaller end of the cable to the printer's parallel port.



NOTE

If you are connecting a peripheral device (scanner or external hard drive), follow the instructions “Connecting a SCSI peripheral device” on page 19. Otherwise, refer to “Turn on the printer” on page 20.

Connecting a SCSI peripheral device

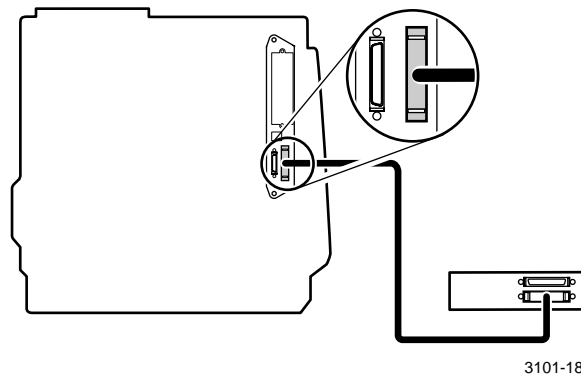
NOTE

Standard Configurations of the printer require the Z740FP Kit to support the SCSI port; Plus, Duplex, and Extended Configurations include a SCSI port.

The printer's SCSI ID number is 7; available SCSI ID numbers for peripheral devices are 0 – 6. The SCSI port is used for these peripherals:

- **Scanner** Allows you to use your printer as a color copier.
- **External SCSI hard disk** Provides additional storage for downloadable fonts or for optional printer collation.

Make sure that the printer and all SCSI devices are turned *off* before plugging or unplugging any cables. Connect the cable to the device and to the SCSI port on your printer. Terminate only the final SCSI device on the SCSI chain.



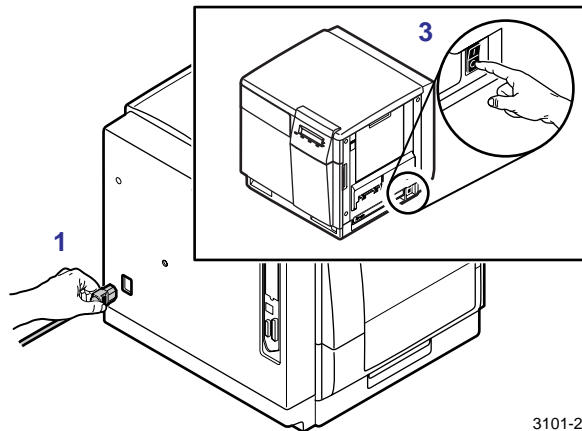
Refer to “Connecting peripheral devices” on the printer’s CD-ROM or web site for detailed information on connecting a SCSI device to your printer.

Turn on the printer

CAUTION

To protect your printer from a power surge, make sure that the printer's power switch is in the **off** position before plugging in the cord.

1. Plug the power cord into the printer and into a grounded outlet.
2. Turn on the power to any peripherals you have connected.
3. Wait about 10 seconds, then turn on the printer.



3101-20

- The printer goes through a series of self-tests, taking about 3 minutes.
- The Startup Page prints.

NOTE

You can set the printer so that it does not print the Startup Page every time it is turned on. Refer to “Enabling and disabling the Startup Page” on the printer’s CD-ROM or web site.

- When the power-up sequence is complete, the green indicator is on steady (not blinking), the amber indicator is off, and the front panel message reads **Ready**.

Select a front panel language

NOTE

If the front panel already displays the language you want, turn to the next topic, “Print the Menu Map” on page 22.

By default, the front panel displays in English. If the Kanji font SIMM is installed, front panel messages display in Japanese. To change the default to Spanish, French, German, Italian, English, or Japanese, follow these steps. (If Chinese or Korean font SIMMS are installed, the front panel will display in English but the output will be in the specified language.)

1. Press the **Menu** button when the printer is on and the Ready message appears. You see this message:

```
Help Pages
<---    ---> Menu
```

2. Press <--- to scroll to this message:

```
Language
<---    ---> Menu
```

3. Press **Menu**; you see this message:

```
Language:English*
<---    ---> OK
```

The asterisk (*) indicates the currently selected language.

4. Scroll to the language you want from these selections:

```
Language:English
Language:Español
Language:Français
Language:Deutch
Language:Italiano
Language:(Japanese)
```

5. Press **OK**.

Press ↶ until Ready is displayed in the selected language.

Print the Menu Map

The menu map provides a guide to the front panel menus. Keep it by the printer for easy reference.

1. On the printer's front panel, press the **Menu** button; you see this message:

```
Help Pages  
<---    --->  Menu
```

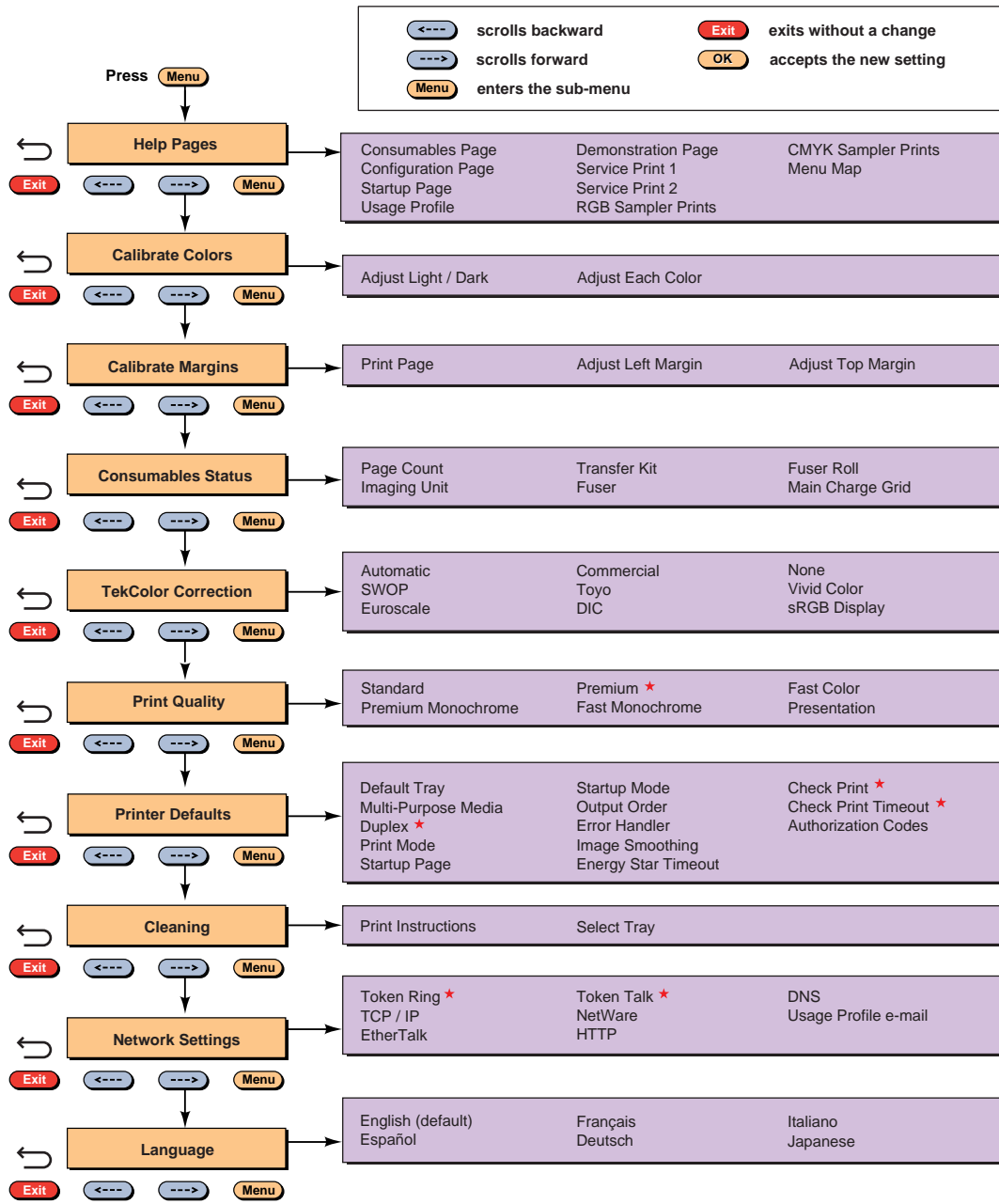
2. Press **Menu**; you see this message:

```
Consumables Page  
<---    --->  Print
```

3. Press **<---** to scroll to this message:

```
Menu Map  
<---    --->  Print
```

4. Press **Print**.



* Optional configuration

3101-25

Install printer software

PC/Windows software

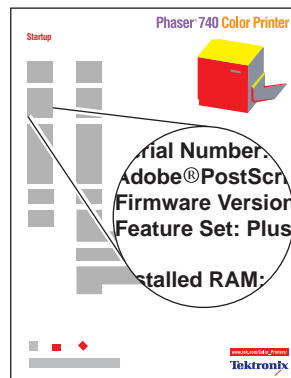
CAUTION

As with all Windows applications, close all other programs before beginning this installation, including Microsoft Office, toolbars, and virus checkers. Failure to do so could result in computer errors.

Before you begin

Make a note of this information and refer to it during the on-screen installation procedure.

1. What is your printer's configuration? Look on the printer's Startup Page under **Feature Set**:



3101-30

Feature Set

Select this driver:

Standard

Tektronix Phaser 740

- 740L color-capable printer
- 740 color printer, base configuration

Plus

Tektronix Phaser 740 Plus

- 740 color printer, plus configuration
- 740 color printer, duplex configuration

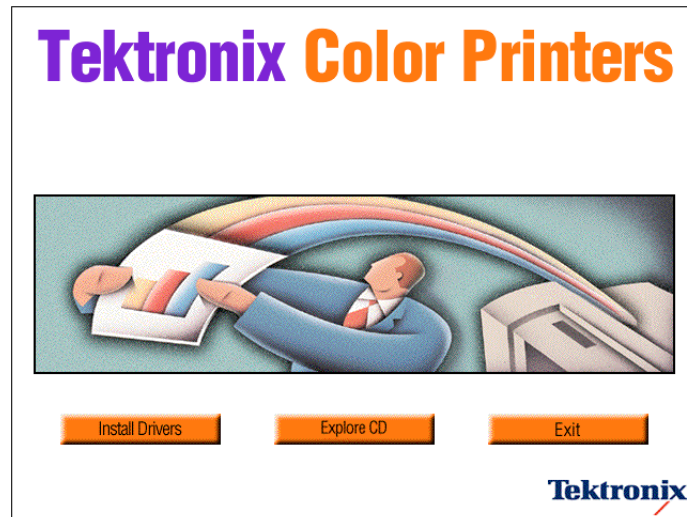
Extended

Tektronix Phaser 740 Extended

2. To which port is your printer connected? See page 17 for details.

Install

1. Insert the printer's CD-ROM.
2. Start the Installer. Use one of the following procedures:
 - If the Windows autorun feature is enabled, the Installer starts automatically.
 - If the Windows autorun feature is disabled, double-click **My Computer**, then double-click the CD-ROM icon to launch the CD-ROM.
 - View the brief introductory information, then click **Install Drivers** to launch the installer.



3. View the license agreements, and click **Yes** to continue.
4. Choose the set of files to install from one of these options:
Easy Install to install a printer driver and support files.
Custom Install to specify which files to install.
5. Follow the on-screen prompts to complete the installation and electronic registration.
6. When the CD-ROM introduction screen reappears, click **Exit** or click **Explore CD** to launch the web browser. You can view manuals and QuickTime videos on the CD-ROM or connect to the Internet for additional information about your printer.



NOTE

For additional information about adding a printer and setting up printer drivers, refer to Microsoft Windows Help.

If you are setting up the printer on a network

Refer to the *PhaserShare Networking Setup Guide* provided with your printer for detailed information about network configurations.

Configuring the driver

After your software installation is complete, the printer driver needs to be configured for your printer's installed options.

Windows 95/Windows 98/NT4

1. From the **Start** menu, select **Settings**, then select **Printers**.
2. Select your Tektronix printer driver and choose **Properties** from the pop-up menu.
3. Click the **Device Options** (Windows 95/Windows 98) or **Device Settings** (Windows NT4) tab.
4. Under **Installable Options**, select the options that are installed in your printer (for example, memory configuration, Lower Tray Assembly, Duplex Unit). Setting up the driver allows you to select all printer options when printing.

NOTE

Do not change the value for **Available PostScript Memory Setting**; this value is already properly set.

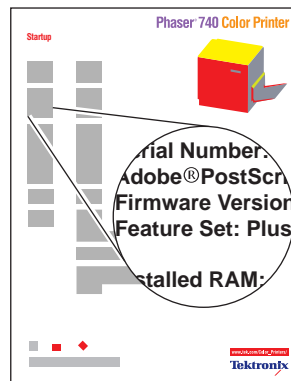
5. Click **OK**.

Macintosh software

Before you begin

Make a note of this information and refer to it during the on-screen installation procedure.

- What is your printer's configuration? Look on the printer's Startup Page under **Feature Set**:



3101-30

| Feature Set | Select this driver: |
|-------------------|-------------------------------|
| Standard * | Tektronix Phaser 740 |
| Plus ** | Tektronix Phaser 740 Plus |
| Extended | Tektronix Phaser 740 Extended |

* The **Standard** feature set refers to two printer models:

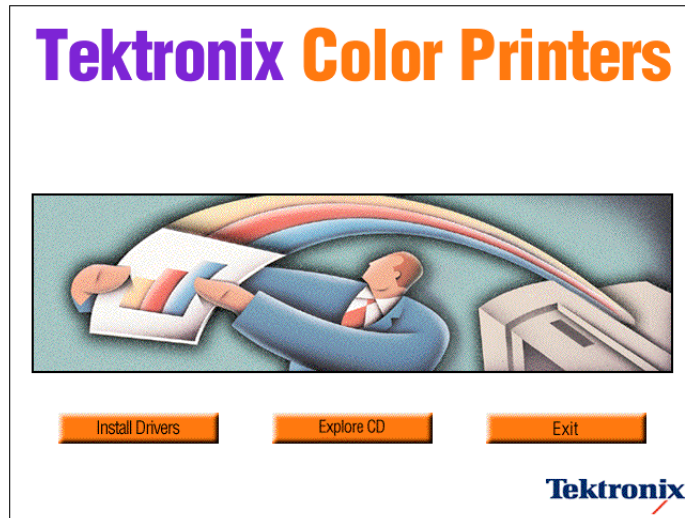
- 740L printer
- 740 color printer, base configuration

** The **Plus** feature set refers to two printer models:

- 740 color printer, plus configuration
- 740 color printer, duplex configuration

Install

1. Insert the printer's CD-ROM.
2. Double-click **Start Me First**. View the brief introductory information, then click **Install Drivers** to launch the installer.



Set up the driver

1. From the Apple menu, select **Chooser**.
2. Click the icon of the printer driver (LaserWriter 8) on the left side of the window.
3. Click the Zone for your printer.
4. Select your printer from the list of printers on the right side of the window. If it is not in the list, check your hardware connections and verify that you have selected the correct zone in the **Chooser** on the left side of the window.
5. Click **Setup/Create** to select the correct PPD (PostScript Printer Description file).
6. After the automatic setup has completed, click **Setup** and click **Configure**.
7. Select the options that are installed in your printer (for example, memory configuration, Lower Tray Assembly, Duplex Unit). Setting up the driver allows you to select all printer options when printing.
8. Click **OK**.
9. Close the **Chooser**.

Register your printer

By registering your printer with Tektronix, you are validating the product warranty and ensuring that you will be sent information about upgrades, service, and accessories as it becomes available.

During the software installation, the online registration screen appears. Follow the prompts.

You will need the printer's serial number when registering the printer; it appears on the Startup Page, which prints when you turn on the printer.

You can send your registration to Tektronix in one of several ways:

- Online, via modem or direct internet connection.
- Print the registration and FAX the form to Tektronix.
- Print the registration and mail the form to Tektronix.
- Fill out the form in the **Register Now** envelope that was shipped with your printer documentation and mail it to Tektronix.

Where to go from here

| Task / Information needed | Resource | Where |
|---|--|--|
| Set up your printer on a network | <i>PhaserShare Networking Setup Guide</i> | <ul style="list-style-type: none"> ■ Printer's box |
| Network services <ul style="list-style-type: none"> ■ Using a network ■ Printer management | <i>PhaserShare Networking Manual</i> | <ul style="list-style-type: none"> ■ Printer's CD-ROM ■ Printer's web site ■ For a printed copy, order number 071-0180-01 |
| Learn to use your printer <ul style="list-style-type: none"> ■ Loading media ■ Consumables information ■ Front panel messages ■ Maintaining print quality | <i>User Guide</i> | <ul style="list-style-type: none"> ■ Printer's box |
| Link to the world of Tektronix color <ul style="list-style-type: none"> ■ Color education ■ Printing ideas ■ Personalized email subscription ■ colorize.com | Color Connection | www.colorconnection.tektronix.com |
| Learn more about printer features <ul style="list-style-type: none"> ■ Advanced printer features ■ Troubleshooting ■ Material Safety Data Sheets (MSDS) | Advanced Features and Troubleshooting Manual | <ul style="list-style-type: none"> ■ Printer's CD-ROM ■ Printer's web site ■ For a printed copy, order number 071-0236-00 |
| Printer support <ul style="list-style-type: none"> ■ Reorder printer supplies ■ Contact local Tektronix dealers ■ Update subscription service ■ Contact customer support | Tektronix web site | www.tek.com/Color_Printers |
| Self-help troubleshooting | TekSMART™ Knowledge Base | www2.tek.com/merlin/tko |

Tektronix®



Printed on recycled paper

0 6 3 - 3 1 0 1 - 0 0